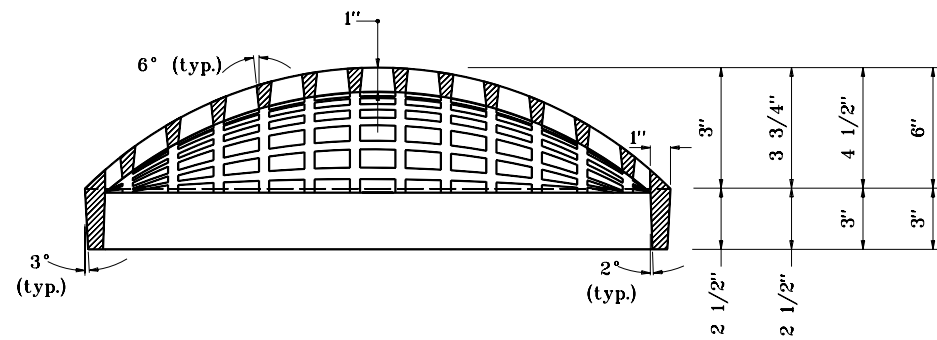


14 3/4" for 12" pipe  
 18 1/4" for 15" pipe  
 22" for 18" pipe  
 29" for 24" pipe



**PIPE CATCH BASIN CASTING**

INDIANA DEPARTMENT OF TRANSPORTATION	
<b>PIPE CATCH BASIN CASTING</b>	
APRIL 1995	
<b>STANDARD DRAWING NO. E 720-CBCA-01</b>	
	DETAILS PLACED IN THIS FORMAT 11-15-99
	/s/ Anthony L. Uremovich 11-15-99 DESIGN STANDARDS ENGINEER DATE
	/s/ Firooz Zandi 11-15-99 CHIEF HIGHWAY ENGINEER DATE
DESIGN STANDARDS ENGINEER	ORIGINALLY APPROVED 4-03-95